



HDMI Distributor

# User Manual

---

Model : HD10-4K6G

4K60Hz 1 x 10 HDMI Distribution Amplifier



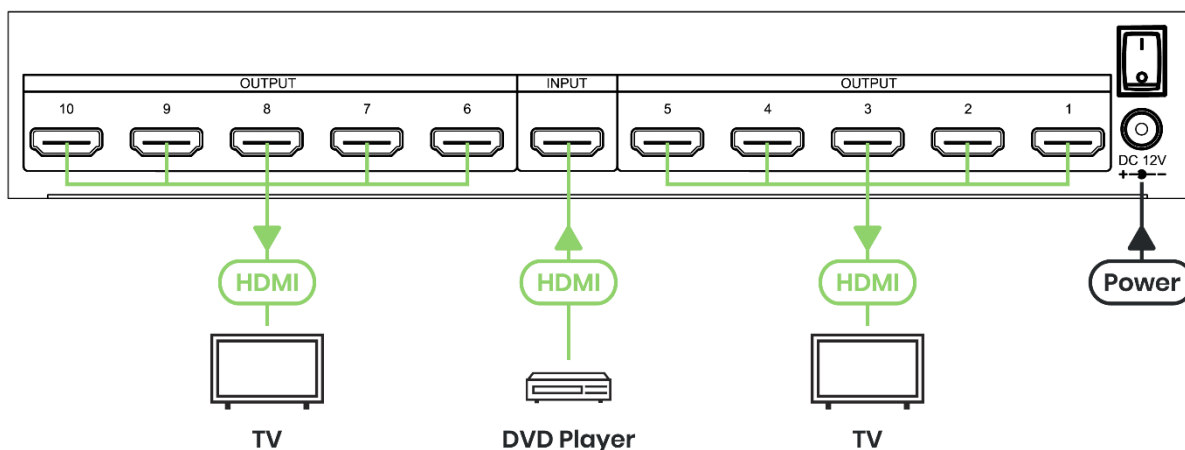
## Introduction

HD10-4K6G is a 1 x 10 HDMI splitter that supports resolution up to 4K@60Hz 4:4:4 and can distribute one HDMI source to 10 HDMI displays. The splitter also supports EDID that can easily work with any display with different resolution.

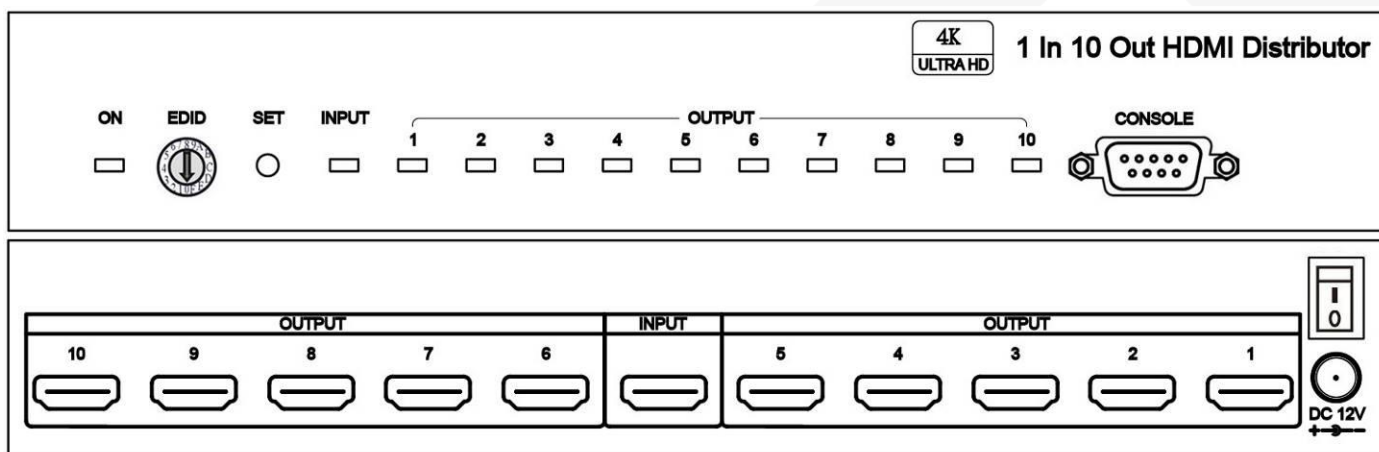
## Features

- Splits 1 HDMI into 10 HDMI signals.
- Resolution up to 4K@60Hz 4:4:4.
- Supports EDID management.

## Installation View



## Panel View



## HD10-4K6G Front Panel Function

Panel	Function
ON (Power LED)	Power on/off
EDID (Rotary Switch)	Select 0~F to set up EDID
SET ( Button)	EDID setup button
INPUT (LED)	HDMI input Indication
OUTPUT (LED)	HDMI Output indication
CONSOLE (RS232)	Firmware update

## EDID Setting



Rotary Switch for EDID

Rotary Switch	Function:
1~A	Copy output 1~10 monitor EDID
0	Default 1080P 2 channel audio
B	Default 1080P Multi channel audio.
C	Default 4K3G 2 channel audio
D	Default 4K3G Multi channel audio
E	Default 4K6G 2 channel audio.
F	Default 4K6G Multi channel audio

\*After select the rotary 0~F, then press “set” button to complete EDID setting

## Console Port

R232 interface connect to PC for firmware updated

## Specification

ITEM NO.	HD10-4K6G
Support	
Compliance	HDMI 2.0, HDCP 1.4, 2.2, DVI 1.0
Max. Video Resolution	4K@60Hz 4:4:4
Audio Format	LPCM 7.1, Dolby TrueHD, DTS-HD Master Audio
Ports & Interfaces	
Video Input	1 x HDMI Type A
Video Output	10 x HDMI Type A
EDID Selector	1 x BCD (Rotary SW 0-F) Switch
RS232 Interface (Console)	1 x DB9 Female (Firmware Update)
Power	
Power Supply	DC 12V 1.5A
Power Consumption	800mA (Max)
Ambient Temperature	
Operation	0 to 60°C
Storage	-20 to 85°C
Humidity	up to 95%
Physical Characteristics	
Dimensions	253 x 139 x 40mm
Weight	850g